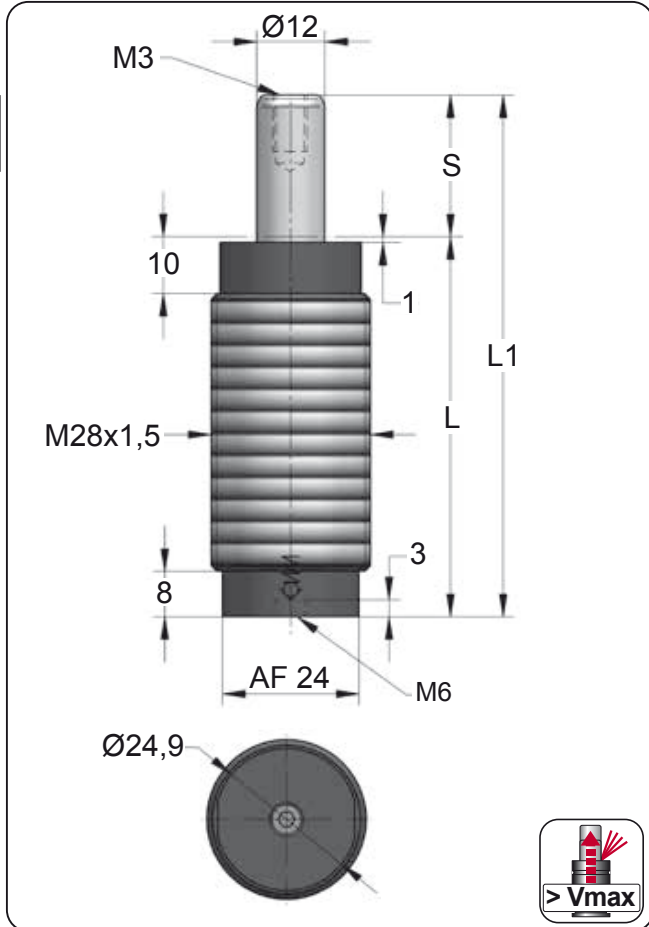




# AS 200

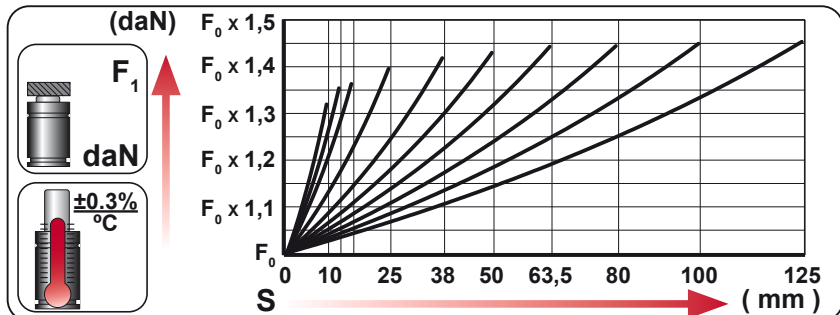
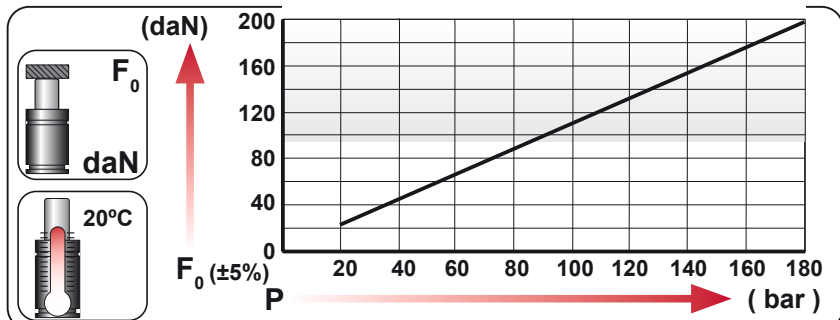
Threaded



CODE	S (mm)	L1 ±0,25 (mm)	L (mm)	Kg.
AS ... 010	10	62	52	0.19
AS ... 012	12.7	67.4	54.7	0.20
AS ... 016	16	74	58	0.21
AS ... 025	25	92	67	0.24
AS ... 038	38	118	80	0.27
AS ... 050	50	142	92	0.31
AS ... 063	63.5	169	105.5	0.35
AS ... 080	80	202	122	0.39
AS ... 100	100	242	142	0.45
AS ... 125	125	292	167	0.52



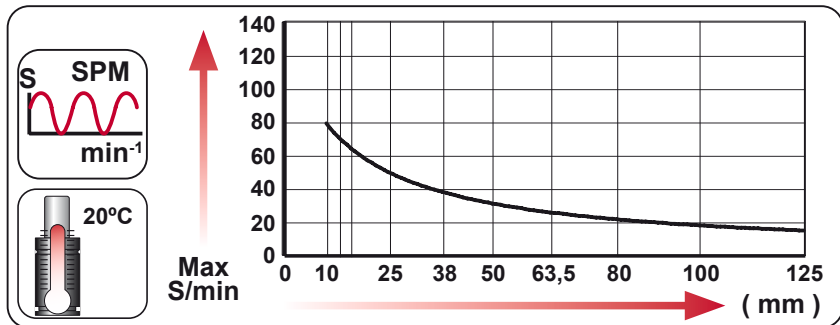
CODE	COLOR	Pressure		Force	
		bar	psi	F <sub>0</sub> daN	F <sub>1</sub> daN
AS 50 050	Green	45	650	50	70
AS 100 050	Blue	90	1305	100	145
AS 150 050	Red	135	1960	150	215
AS 200 050	Yellow	180	2610	200	285



	ENG ORDER		
	DEU BESTELLUNG		
	FRA COMMANDE		
	ITA ORDINE		
	ESP PEDIDO		
POR PEDIDO			

AS 200 50

AS 200 050



N <sub>2</sub>	S <sub>max</sub> < 90%	V <sub>max</sub> 1,6 m/s	P <sub>min</sub> (20°C)	P <sub>max</sub> (20°C)	T <sub>min</sub>	T <sub>max</sub>	

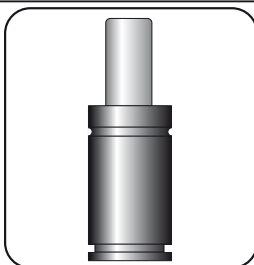
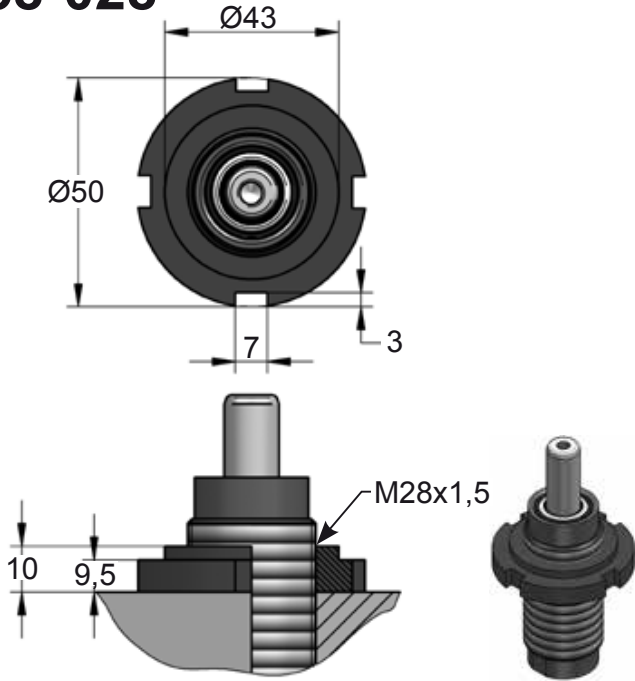
bar	psi	bar	psi	°C	°F	°C	°F	<b>X</b>
20	290	180	2610	0	32	80	176	



# AS 200 MOUNTS

Threaded

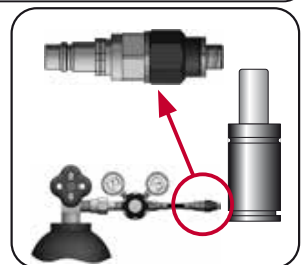
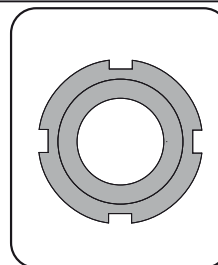
**E58-028**



**SEAL KIT S-XXXXXXX**



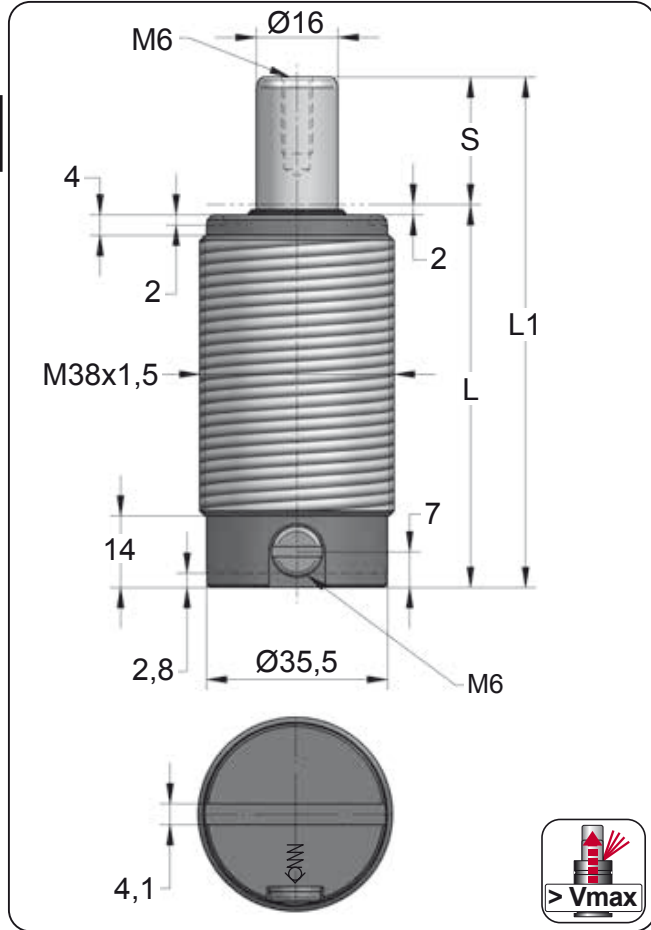
**CARTRIDGE KIT C-XXXXXXX**



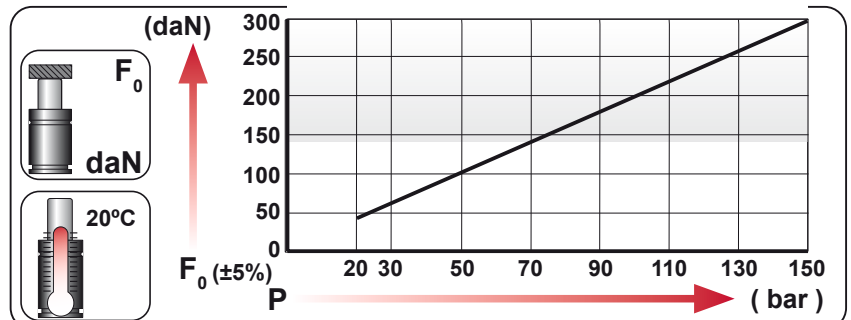
CODE	AS 200 050	KIT S-XXXXXXX KIT C-XXXXXXX	E58-028	06 CG 2-Q
ENG	ORDER	GAS SPRING	REPAIR KIT	FLANGE
DEU	BESTELLUNG	GASDRUCKFEDER	ERSATZTEILSATZ	FLANSCHEN
FRA	COMMANDE	RESSORT À GAZ	KIT DE RÉPARATION	BRIDE
ITA	ORDINE	CILINDRO AD AZOTO	KIT DI MANUTENZIONE	FLANGE
ESP	PEDIDO	RESORTE DE GAS	KIT DE REPARACION	BRIDA
POR	PEDIDO	CILINDRO DE GÁS	KIT DE MANUTENÇÃO	FLANGE
				CHARGING ADAPTER
				LADEADAPTER
				RACCORD DE CHARGE
				ADATTATORE DI CARICO
				ADAPTADOR DE CARGA
				ADAPTADOR DE CARGA

# AS 300

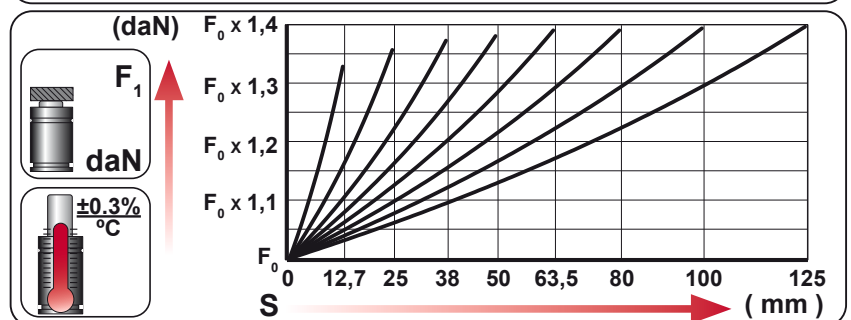
Threaded



ORDER	S (mm)	L1 ±0,25 (mm)	L (mm)	Kg.
AS 300 012	12.7	75.4	62.7	0.42
AS 300 025	25	100	75	0.48
AS 300 038	38	126	88	0.54
AS 300 050	50	150	100	0.60
AS 300 063	63.5	177	113.5	0.67
AS 300 080	80	210	130	0.75
AS 300 100	100	250	150	0.85
AS 300 125	125	300	175	0.98



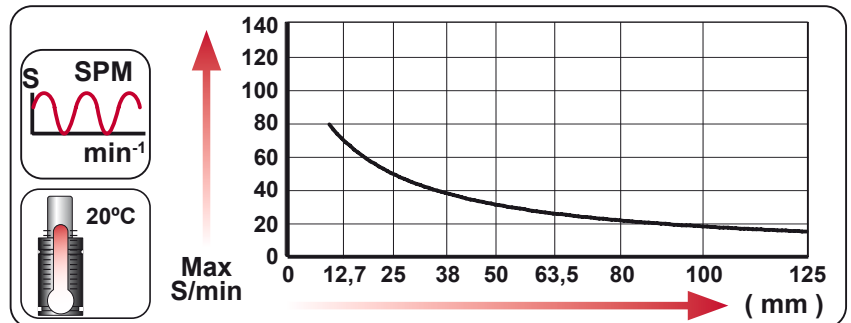
CODE	Image	Pressure		Force	
		bar	psi	daN	daN
AS 300 050		150	2175	300	415
-----		---	---	---	---



ENG	ORDER	F0	S
DEU	BESTELLUNG	daN	mm
FRA	COMMANDE	daN	mm
ITA	ORDINE	daN	mm
ESP	PEDIDO	daN	mm
POR	PEDIDO	daN	mm

AS 300 50

AS 300 050



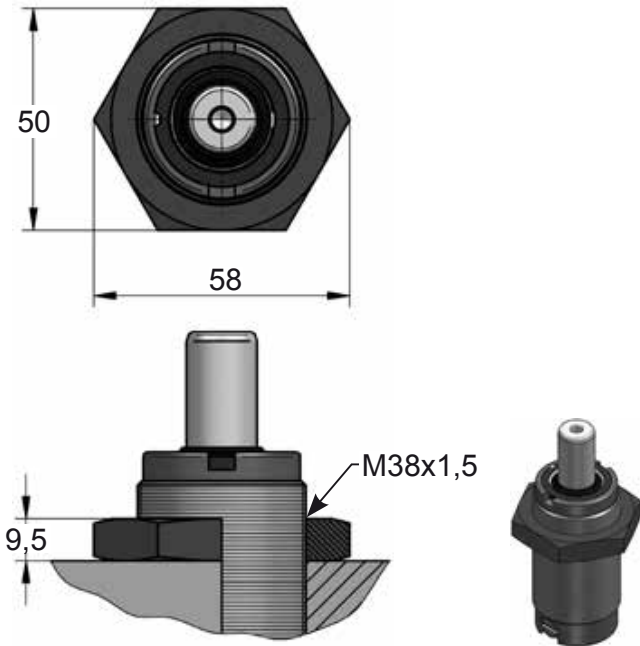
N <sub>2</sub>	Smax < 90%	Vmax 1,6 m/s	bar psi 20 290	bar psi 150 2175	°C °F 0 32	°C °F 80 176	



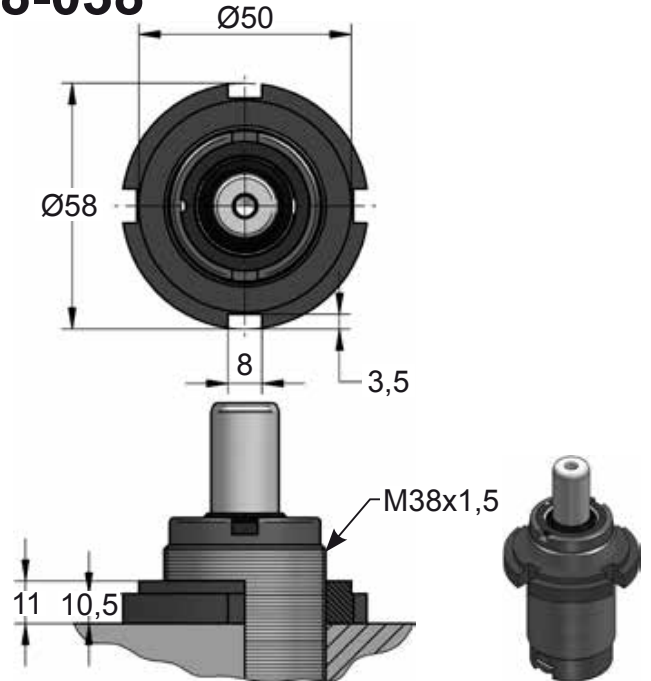
# AS 300 MOUNTS

Threaded

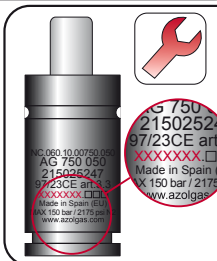
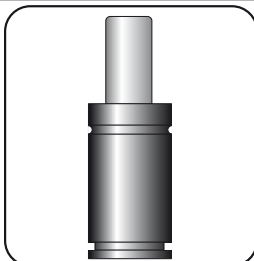
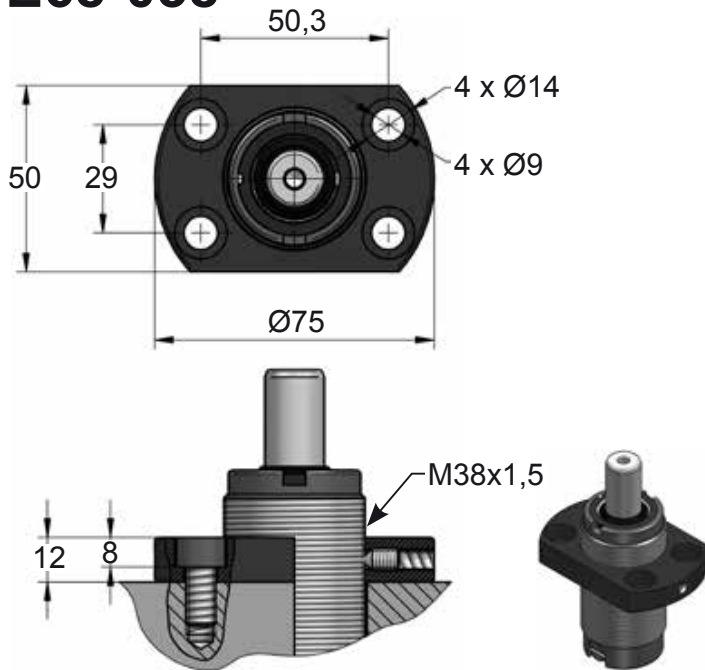
## E23-038



## E58-038



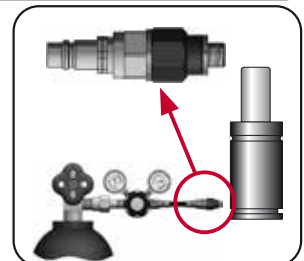
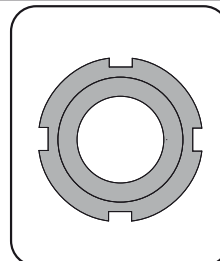
## E68-038



SEAL  
KIT S-XXXXXXX



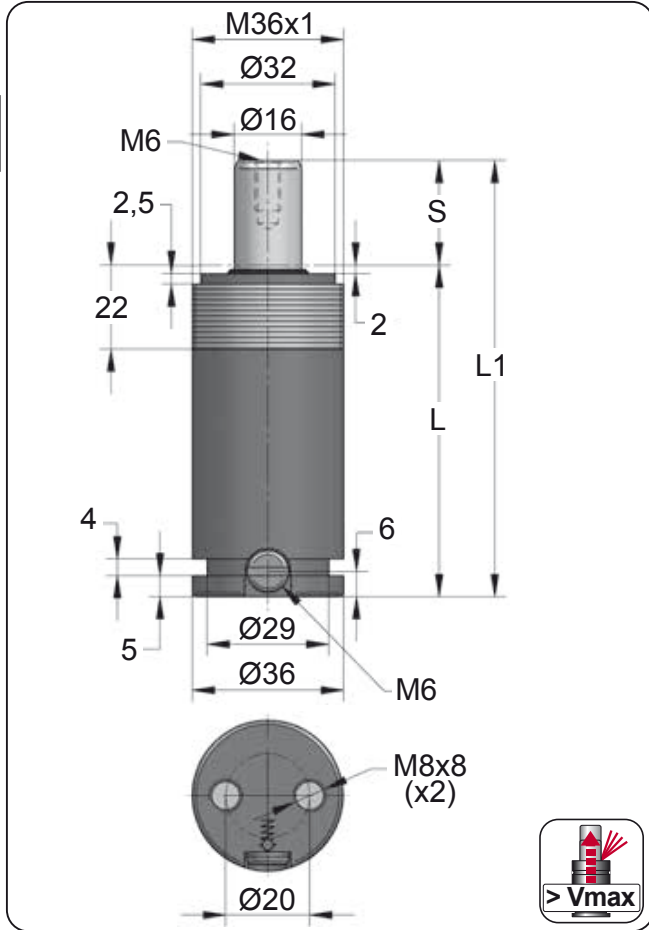
CARTRIDGE  
KIT C-XXXXXXX



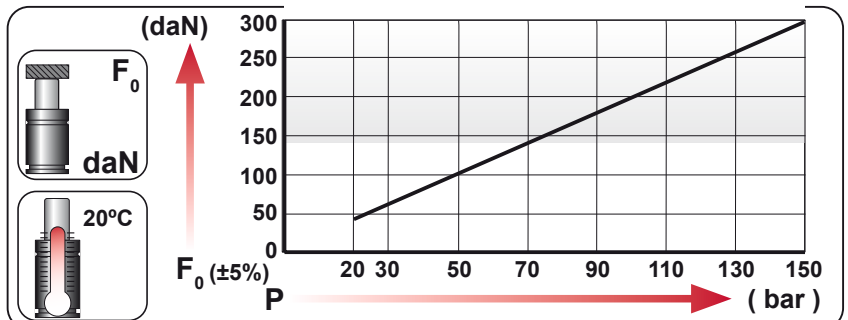
CODE	AS 300 050	KIT S-XXXXXXX KIT C-XXXXXXX	E58-038	06 CG 2-Q
ENG	ORDER	GAS SPRING	REPAIR KIT	CHARGING ADAPTER
DEU	BESTELLUNG	GASDRUCKFEDER	ERSATZTEILSATZ	LADEADAPTER
FRA	COMMANDE	RESSORT À GAZ	KIT DE RÉPARATION	RACCORD DE CHARGE
ITA	ORDINE	CILINDRO AD AZOTO	KIT DI MANUTENZIONE	ADATTATORE DI CARICO
ESP	PEDIDO	RESORTE DE GAS	KIT DE REPARACION	ADAPTADOR DE CARGA
POR	PEDIDO	CILINDRO DE GÁS	KIT DE MANUTENÇÃO	ADAPTADOR DE CARGA

# ASP 250

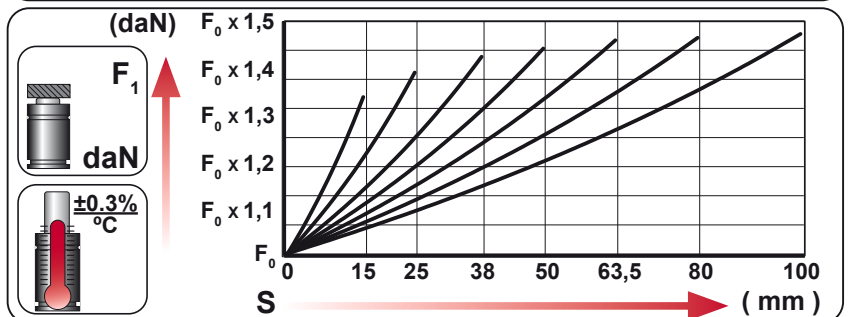
Threaded



ORDER	S (mm)	L1 ±0,25 (mm)	L (mm)	Kg.
ASP 250 015	15	84	69	0.39
ASP 250 025	25	104	79	0.43
ASP 250 038	38	130	92	0.49
ASP 250 050	50	154	104	0.53
ASP 250 063	63.5	181	117.5	0.59
ASP 250 080	80	214	134	0.66
ASP 250 100	100	254	154	0.74



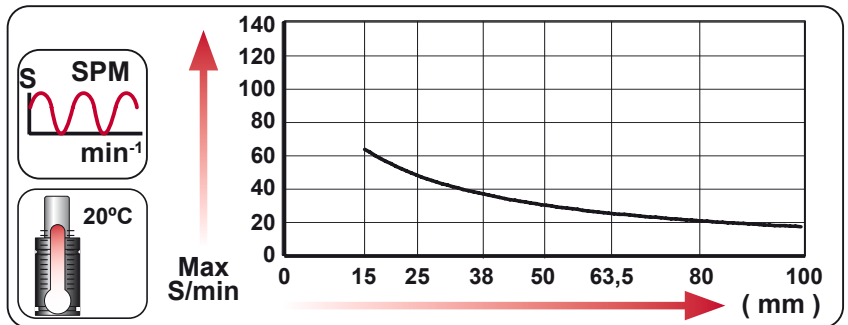
CODE	Image	Pressure		Force	
		bar	psi	daN	daN
ASP 250 050		125	1810	250	340
-----		---	---	---	---



ENG	ORDER	F0	S
DEU	BESTELLUNG	daN	mm
FRA	COMMANDE		
ITA	ORDINE		
ESP	PEDIDO		
POR	PEDIDO		

ASP 250 50

ASP 250 050



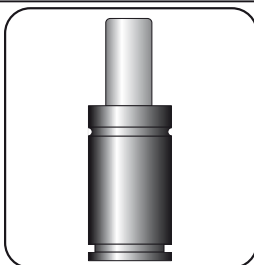
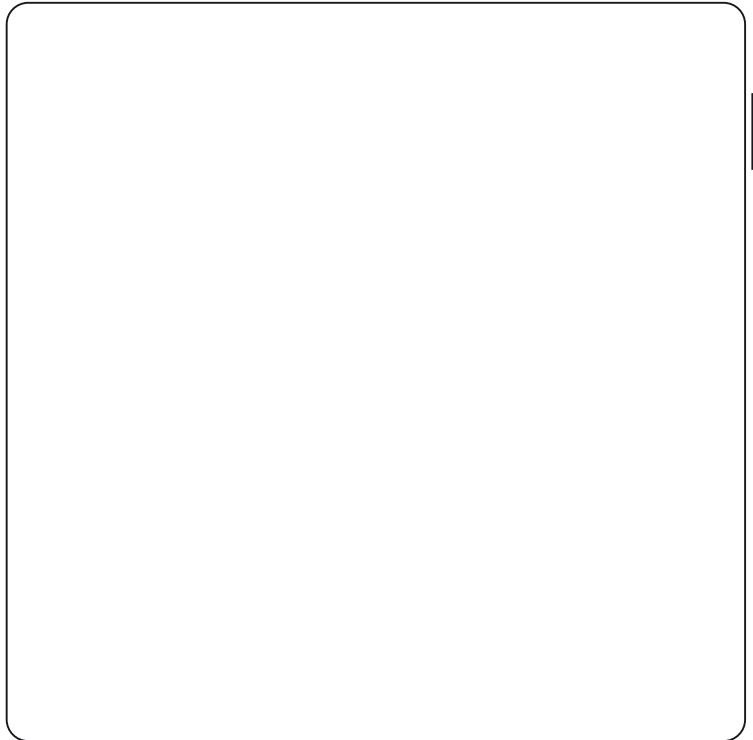
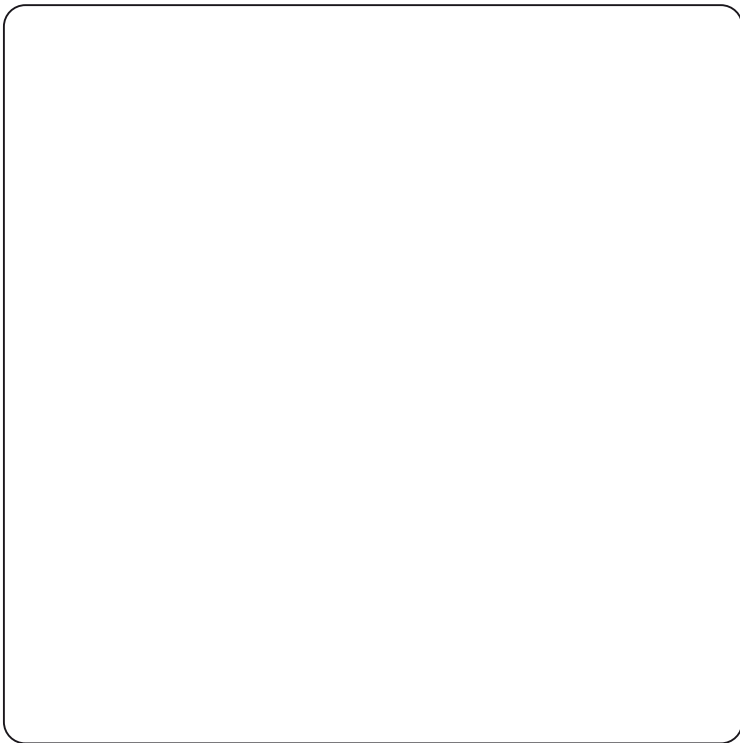
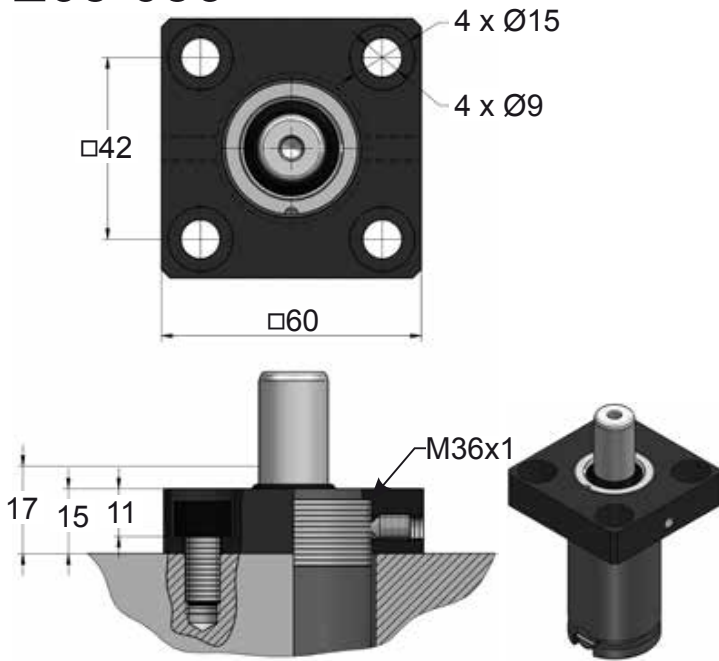
N <sub>2</sub>	Smax < 90%	Vmax 1,6 m/s	bar psi	bar psi	°C °F	°C °F	X
			20 290	150 2175	0 32	80 176	



# ASP 250 MOUNTS

Threaded

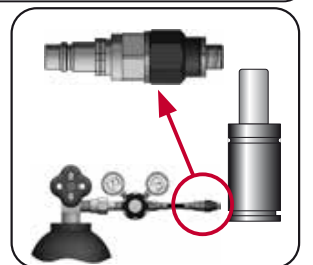
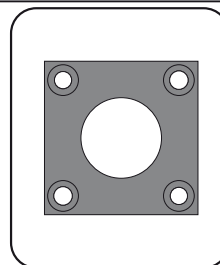
## E03-036



SEAL  
KIT S-XXXXXXX



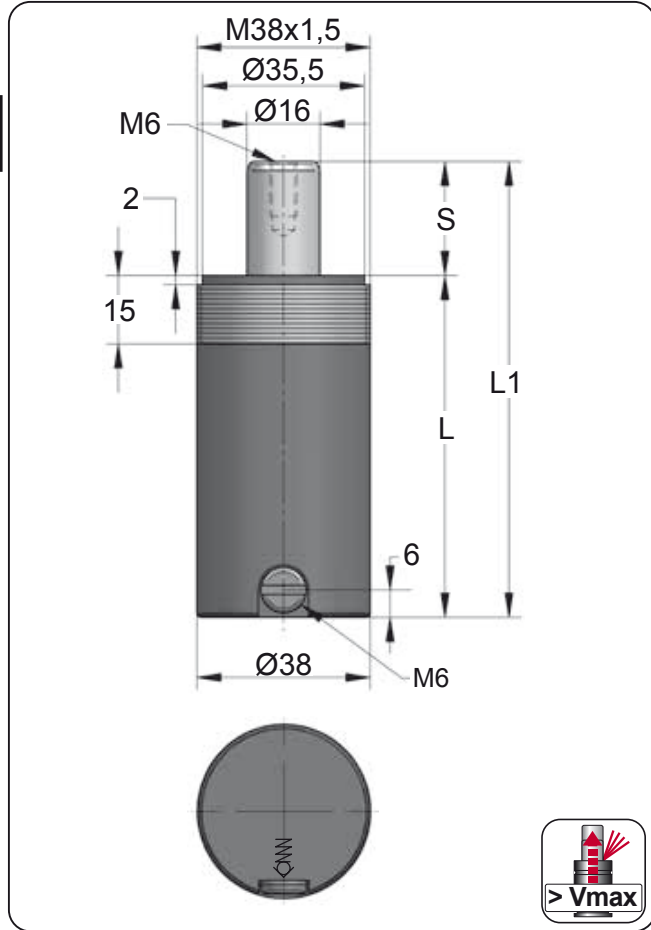
CARTRIDGE  
KIT C-XXXXXXX



CODE	ASP 250 050	KIT S-XXXXXXX KIT C-XXXXXXX	E03-036	06 CG 2-Q
ENG	ORDER	GAS SPRING	REPAIR KIT	CHARGING ADAPTER
DEU	BESTELLUNG	GASDRUCKFEDER	ERSATZTEILSATZ	LADEADAPTER
FRA	COMMANDE	RESSORT À GAZ	KIT DE RÉPARATION	RACCORD DE CHARGE
ITA	ORDINE	CILINDRO AD AZOTO	KIT DI MANUTENZIONE	ADATTATORE DI CARICO
ESP	PEDIDO	RESORTE DE GAS	KIT DE REPARACION	ADAPTADOR DE CARGA
POR	PEDIDO	CILINDRO DE GÁS	KIT DE MANUTENÇÃO	ADAPTADOR DE CARGA

# ASP 300

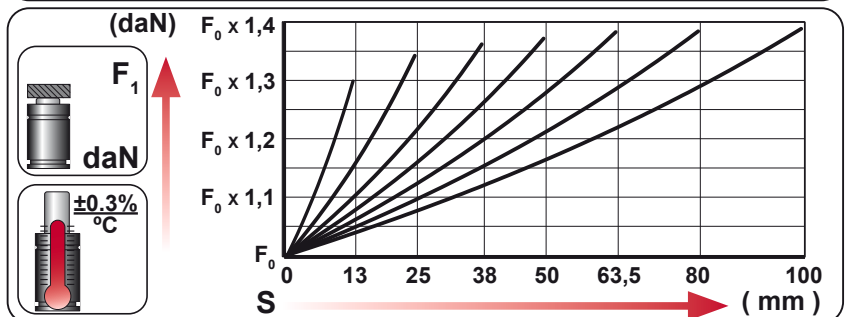
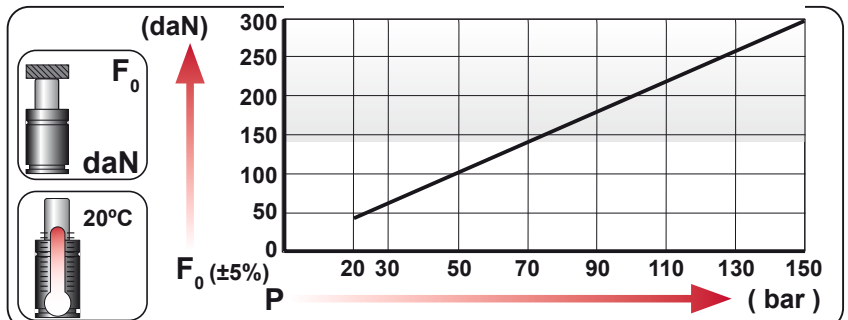
Threaded



ORDER	S (mm)	L1 ±0,25 (mm)	L (mm)	Kg.
ASP 300 013	13	76	63	0.45
ASP 300 025	25	100	75	0.51
ASP 300 038	38	126	88	0.58
ASP 300 050	50	150	100	0.64
ASP 300 063	63.5	177	113.5	0.70
ASP 300 080	80	210	130	0.79
ASP 300 100	100	250	150	0.89



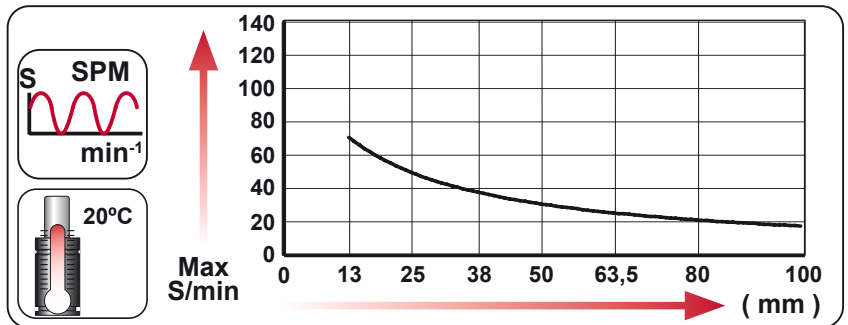
CODE	Image	Pressure		Force	
		bar	psi	daN	daN
ASP 300 050		150	2175	300	410
-----		---	---	---	---



Language	Order Code	Force (daN)	Stroke (mm)
ENG	ORDER	F <sub>0</sub>	S
DEU	BESTELLUNG	daN	mm
FRA	COMMANDE		
ITA	ORDINE		
ESP	PEDIDO		
POR	PEDIDO		

ASP 300 50

ASP 300 050



N <sub>2</sub>	Smax < 90%	Vmax 1,6 m/s	bar psi 20 290	bar psi 150 2175	°C °F 0 32	°C °F 80 176	

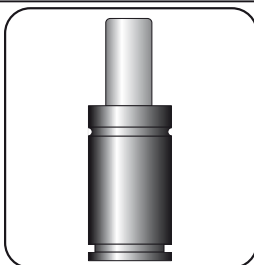
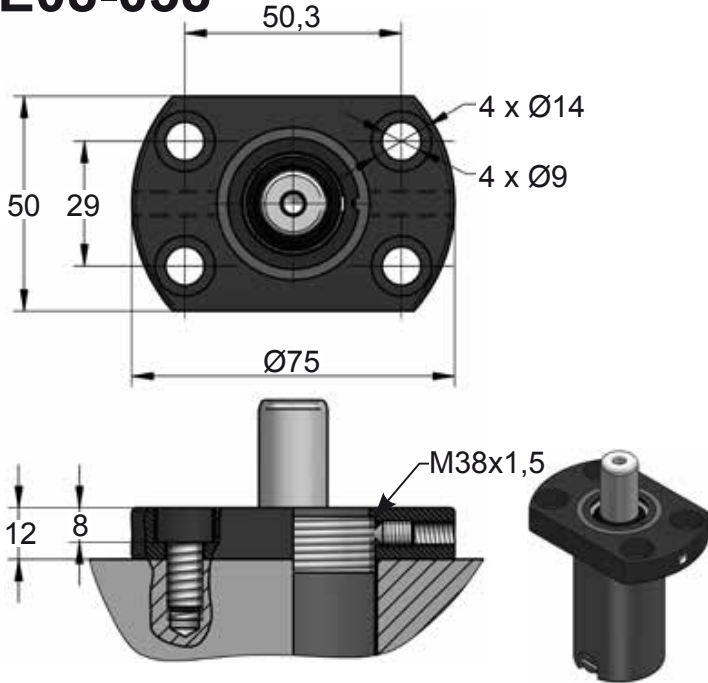




# ASP 300 MOUNTS

Threaded

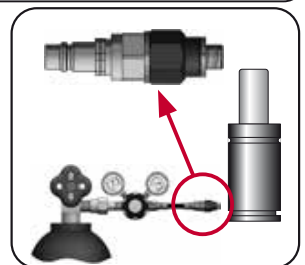
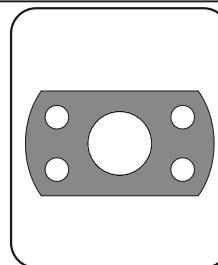
**E08-038**



**SEAL  
KIT S-XXXXXXX**



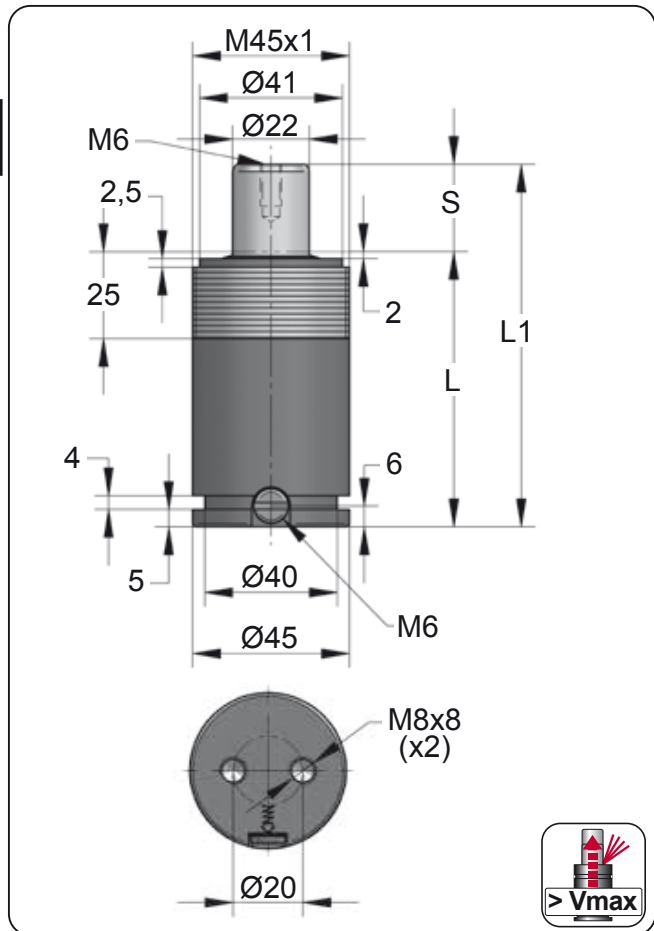
**CARTRIDGE  
KIT C-XXXXXXX**



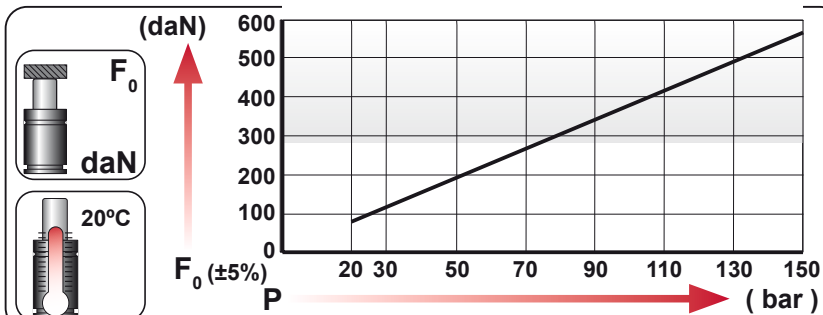
CODE	ASP 300 050	KIT S-XXXXXXX KIT C-XXXXXXX	E08-038	06 CG 2-Q
ENG	ORDER	GAS SPRING	REPAIR KIT	CHARGING ADAPTER
DEU	BESTELLUNG	GASDRUCKFEDER	ERSATZTEILSATZ	LADEADAPTER
FRA	COMMANDE	RESSORT À GAZ	KIT DE RÉPARATION	RACCORD DE CHARGE
ITA	ORDINE	CILINDRO AD AZOTO	KIT DI MANUTENZIONE	ADATTATORE DI CARICO
ESP	PEDIDO	RESORTE DE GAS	KIT DE REPARACION	ADAPTADOR DE CARGA
POR	PEDIDO	CILINDRO DE GÁS	KIT DE MANUTENÇÃO	ADAPTADOR DE CARGA

# ASP 500 V1

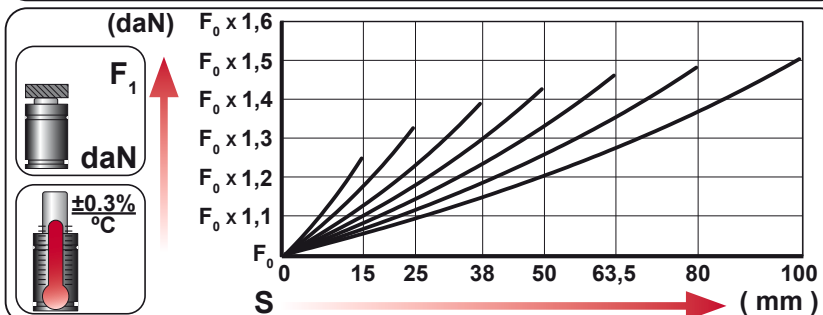
Threaded



ORDER	S (mm)	L1 ±0,25 (mm)	L (mm)	Kg.
ASP 500 015 V1	15	84	69	0.56
ASP 500 025 V1	25	104	79	0.62
ASP 500 038 V1	38	130	92	0.70
ASP 500 050 V1	50	154	104	0.77
ASP 500 063 V1	63.5	181	117.5	0.86
ASP 500 080 V1	80	214	134	0.96
ASP 500 100 V1	100	254	154	1.09



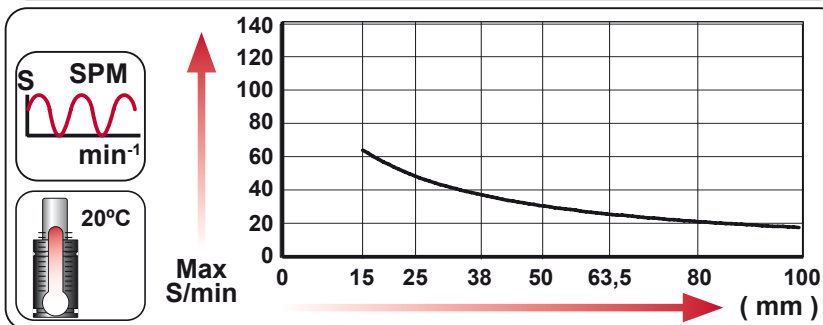
CODE	Image	Pressure		Force	
		bar	psi	daN	daN
ASP 500 050 V1		130	1885	495	705
-----		---	---	---	---



ENG	ORDER	F <sub>0</sub>	S
DEU	BESTELLUNG	daN	mm
FRA	COMMANDE	daN	mm
ITA	ORDINE	daN	mm
ESP	PEDIDO	daN	mm
POR	PEDIDO	daN	mm

ASP 500 50

ASP 500 050 V1



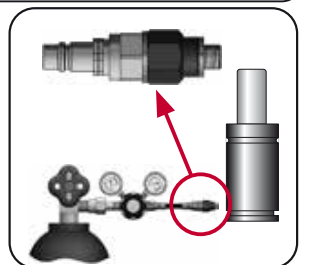
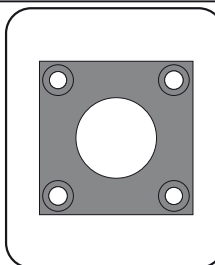
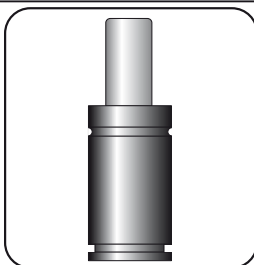
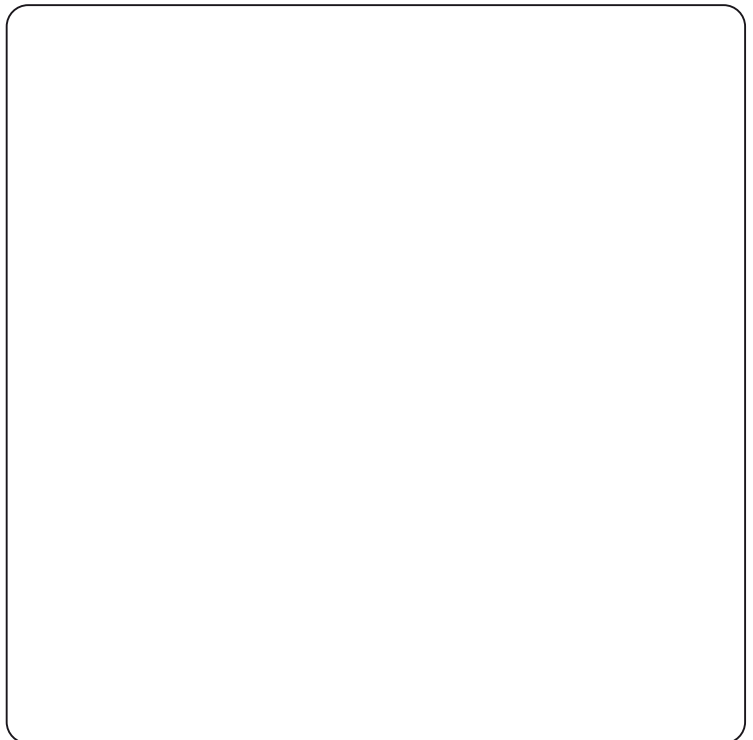
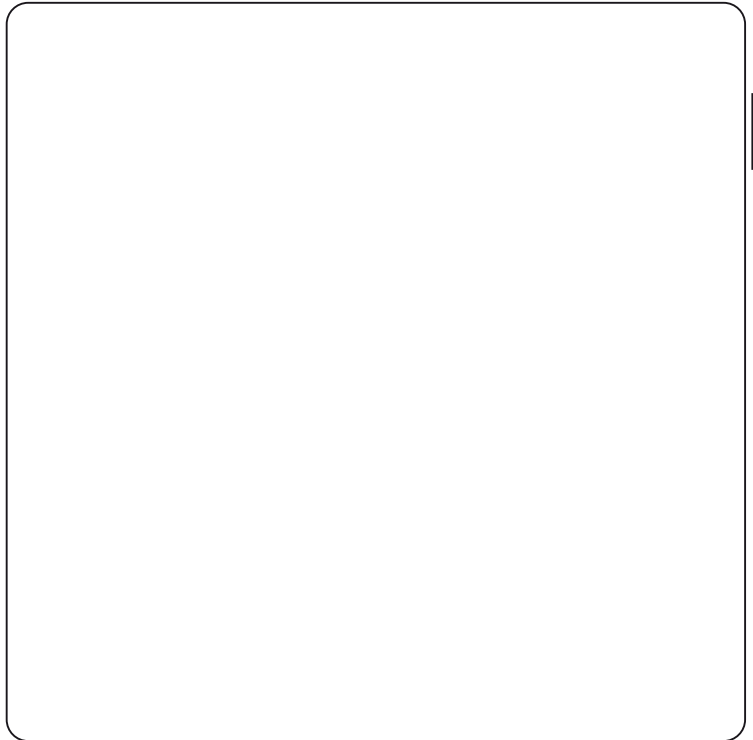
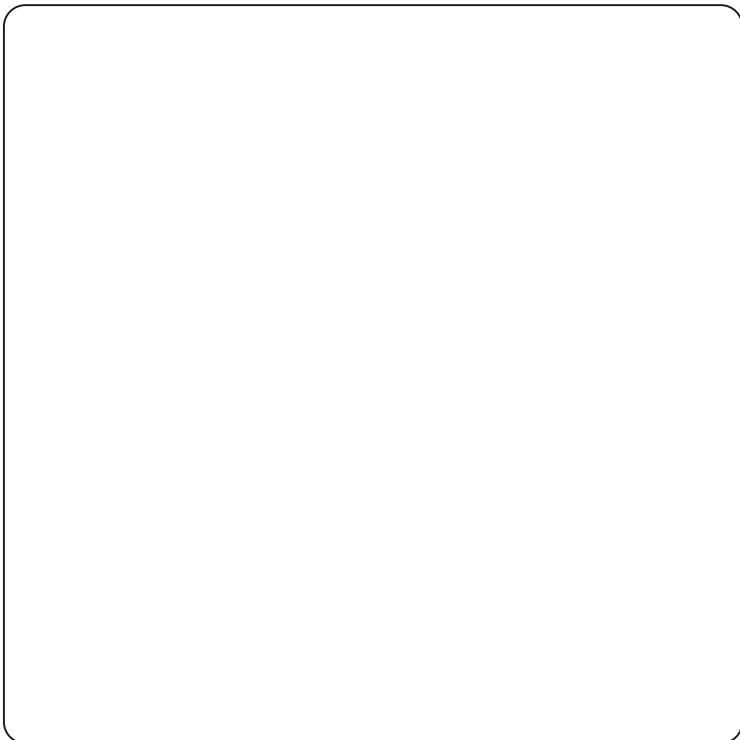
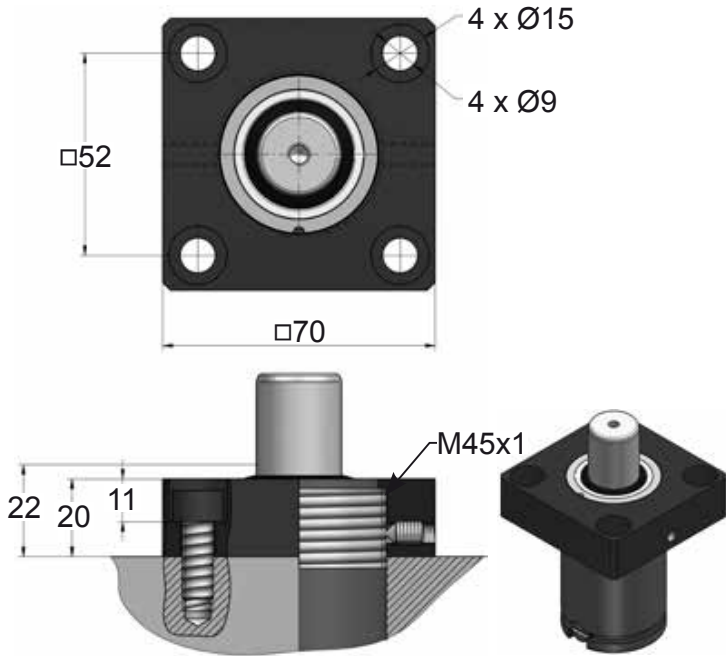
N <sub>2</sub>	Smax < 90%	Vmax 1,6 m/s	bar psi	bar psi	°C °F	°C °F	X
			20 290	150 2175	0 32	80 176	



# ASP 500 V1 MOUNTS

Threaded

**E03-045**



CODE	ASP 500 050 V1	KIT S-XXXXXXX KIT C-XXXXXXX	E03-045	06 CG 2-Q
ENG	ORDER	GAS SPRING	REPAIR KIT	FLANGE
DEU	BESTELLUNG	GASDRUCKFEDER	ERSATZTEILSATZ	FLANSCHEN
FRA	COMMANDE	RESSORT À GAZ	KIT DE RÉPARATION	BRIDE
ITA	ORDINE	CILINDRO AD AZOTO	KIT DI MANUTENZIONE	FLANGE
ESP	PEDIDO	RESORTE DE GAS	KIT DE REPARACION	BRIDA
POR	PEDIDO	CILINDRO DE GÁS	KIT DE MANUTENÇÃO	FLANGE
				CHARGING ADAPTER
				LADEADAPTER
				RACCORD DE CHARGE
				ADATTATORE DI CARICO
				ADAPTADOR DE CARGA
				ADAPTADOR DE CARGA

